

# BACKHOE LOADER ATTACHMENTS



## **Extend your machine's versatility**

Using Terex factory approved attachments can increase the productivity and functionality of your machine. The extensive range of attachments available for Terex® Backhoe Loaders are quick to fit, easy to use and built to last.

### **What this means for you**

- ▶ High performance attachments that are easy to use and maintain
- ▶ Increase your versatility and job site capability
- ▶ Maximise your up time and receive an excellent return on your investment

**WORKS FOR YOU.™**

## BACKHOE LOADER ATTACHMENTS RANGE

# BACKHOE BUCKETS



### Available for models

<b>TLB840</b>	<b>860 ELITE</b>	<b>970 ELITE</b>
<b>820</b>	<b>880 ELITE</b>	<b>970 ELITE</b>
<b>860 SX</b>	<b>880 SX</b>	<b>980 ELITE</b>

### What this means for you

- ▶ Standard and heavy duty buckets feature total rotation of 196° with extending dipper. Available with reversible side cutters and bolt on teeth
- ▶ Ditch cleaning bucket long and shallow in design and used without teeth

### Applications

- ▶ Standard bucket suitable for excavating light materials including sand and earth
- ▶ Heavy duty bucket suitable for concrete and road maintenance
- ▶ Trapezoidal bucket suitable for cutting new ditches and maintaining existing drains
- ▶ Ditch cleaning bucket primarily used for shaping and contouring existing ditches

## ORDERING REFERENCE AND SPECIFICATIONS

Description & Width mm (ins)	Capacity m <sup>3</sup> (ft <sup>3</sup> )	TLB840 Order Reference	All Other Model Order Reference*
Digger bucket - 300 (12)	0.080 (2.8)	T103288	6102393M92
Digger bucket - 450 (18)	0.125 (4.4)	T103211	6102394M92
Digger bucket - 600 (24)	0.184 (6.5)	T103213	6102395M92
Digger bucket - 750 (30)	0.245 (8.6)	T103267	6102396M92
Digger bucket - 900 (36)	0.306 (10.8)	T103269	6102397M92
Heavy duty bucket - 305 (12)	0.092 (3.2)	T101936	3516492M92
Heavy duty bucket - 450 (18)	0.141 (5.0)	T101949	3516451M93
Heavy duty bucket - 600 (24)	0.206 (7.3)	T101958	3516453M93
Heavy duty bucket - 750 (30)	0.274 (9.7)	T101963	3516455M93
Heavy duty bucket - 900 (36)	0.342 (12.0)	T101968	3516457M93
Ditch cleaning bucket - 1,500 (60)	0.262 (9.2)	T102005	6102398M92
Ditch cleaning bucket - 1,800 (72)	0.317 (11.2)	T102022	6102399M92
Trapezoidal bucket - 1,200 (48)	0.258 (9.1)	T102035	6102405M92
Heavy duty digger bucket assembly 12"	-	T101631	-
Heavy duty digger bucket assembly 18"	-	T101719	-
Heavy duty digger bucket assembly 24"	-	6112487M91	-
Heavy duty digger bucket assembly 30"	-	T101724	-
Heavy duty digger bucket assembly 36"	-	T101759	-

# HYDRAULIC BREAKER



## Available for models

TLB840	860 ELITE	970 ELITE
820	880 ELITE	970 ELITE
860 SX	880 SX	980 ELITE

## What this means for you

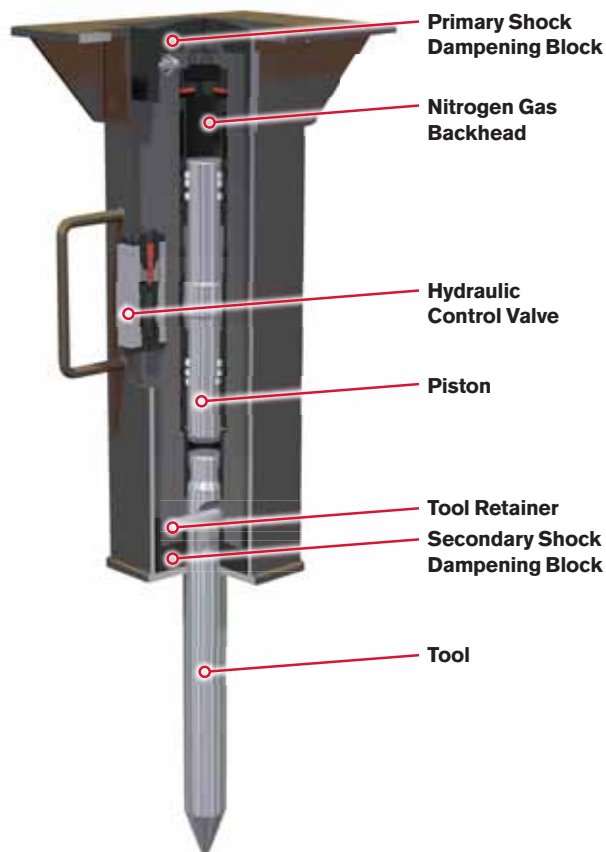
- ▶ Terex® hydraulic hammers are designed to provide extended, low maintenance operation with minimal down time. Every hammer in the range is vibra-silenced to offer compliance with the latest standards of operator safety and comfort

## Applications

- ▶ Suitable for rock breaking, road maintenance and demolition applications

## ORDERING REFERENCE AND SPECIFICATIONS

Description	Order Reference	Maximum Energy Per Blow J (ft-lbs)	Required Flow L/Min (gpm)	Carrier Weight t
TXH1400S Breaker	TX1400S*2208110	1,400 (1,033)	80-110 (21-29)	7.5-11.0
TX1100S Breaker	TXH1100S*2207110	1,100 (811)	65-100 (17-27)	5.0-8.5



# BACKHOE LOADER ATTACHMENTS RANGE

# AUGER



## Available for models

TLB840	860 ELITE	970 ELITE
820	880 ELITE	970 ELITE
860 SX	880 SX	980 ELITE

### What this means for you

- ▶ Heavy duty planetary drive motor for powerful auger performance
- ▶ Suitable for dipper mounting or by quick attach
- ▶ Wide range of auger bits and extensions for complete jobsite compatability
- ▶ Available with an offset cradle mounting

### Applications

- ▶ Suitable for a wide range of jobs including drilling holes for fencing, construction footings and tree planting

## ORDERING REFERENCE AND SPECIFICATIONS

Description	Order Reference
Drive unit 50-100 lpm hydraulic flow rate	T102686
Drive unit 75-150 lpm hydraulic flow rate	T102686
6" auger bit	T102689
9" auger bit	T102690
10" auger bit	T102691
12" auger bit	T102692
15" auger bit	T102693
18" auger bit	T102694
20" auger bit	T102695
24" auger bit	T102696
30" auger bit	T102697
36" auger bit	T102698

Description	Order Reference
300mm auger extension	6195785M91
450mm auger extension	6195786M91
600mm auger extension	6195787M91
900mm auger extension	6195788M91
1,220mm auger extension	6195789M91
1,850mm auger extension	6195790M91

# QUICK ATTACH



## Available for models

TLB840	860 ELITE	970 ELITE
820	880 ELITE	970 ELITE
860 SX	880 SX	980 ELITE

### What this means for you

- ▶ Mechanical or hydraulic locking available
- ▶ Hydraulic excavator quick attach enables changing of attachments and buckets from the operators seat without leaving the cab

### Applications

- ▶ Designed to couple and uncouple standard buckets and attachments, transforming a backhoe into a multi-tool carrier

## Available for models

TLB840	860 ELITE	970 ELITE
820	880 ELITE	970 ELITE
860 SX	880 SX	980 ELITE

### What this means for you

- ▶ Simple design
- ▶ Mechanical locking
- ▶ Picks up standard and 7 in 1 loader buckets

### Applications

- ▶ Designed to couple and uncouple standard buckets and attachments, transforming a backhoe into a multi-tool carrier

## EXCAVATOR QUICK ATTACH ORDERING REFERENCE AND SPECIFICATIONS

Description	Order Reference
Hydraulic Quick Attach (extendable dipper) - not available in UK	H200ACC44B
Hydraulic Quick Attach (extendable dipper) - UK	H200ACC44E
Hydraulic Quick Attach (standard dipper) - all markets	H200ACC43E
Mechanical Quick Attach	6114796M91
Semi Automatic (Hydraulic not UK)	6108811M92
Autolatch (suitable for all markets)	T101115
Total Lock (Hydraulic with 20 second delay)*	T116277
Springlock (manual)*	T104977

## LOADER QUICK ATTACH ORDERING REFERENCE AND SPECIFICATIONS

Description	Order Reference
-------------	-----------------

Manual Quick Coupler	T102660
----------------------	---------



## BACKHOE LOADER ATTACHMENTS RANGE

# LOADER BUCKETS



### Available for models

TLB840	860 ELITE	970 ELITE
820	880 ELITE	970 ELITE
860 SX	880 SX	980 ELITE

### What this means for you

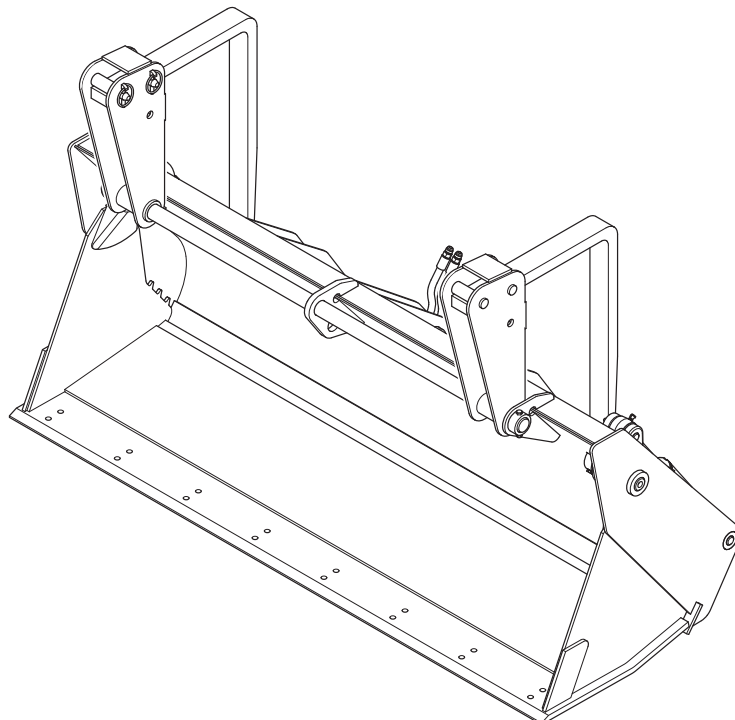
- ▶ Standard bucket with curved profile ensures rapid fill and discharge for high productivity
- ▶ Multi-purpose bucket provides complete job site versatility for enhanced utilisation
- ▶ Available with a choice of bolt on teeth or reversible cutting edge

### Applications

- ▶ Suitable for a wide range of applications including digging, lifting, loading, dozing, scraping, spreading and levelling

## ORDERING REFERENCE AND SPECIFICATIONS

Description	Width mm (ft)	Weight Kg (lbs)	Capacity m <sup>3</sup> (yd <sup>3</sup> )	Order Reference
Standard Loader Bucket with Fork Brackets	2,311 (7.7)	400 (880)	1.0 (1.32)	6108216M91
Standard Loader Bucket with Fork Brackets	2,387 (7.10)	430 (946)	1.2 (1.57)	6108217M91
Multi Purpose Loader Bucket	2,311 (7.7)	730 (1,606)	1.0 (1.32)	6106218M93
Multi Purpose Loader Bucket	2,387 (7.10)	767 (11,687)	1.2 (157)	6106283M93



# HIGH-TIP BUCKET



## Available for models

TLB840	860 ELITE	970 ELITE
820	880 ELITE	970 ELITE
860 SX	880 SX	980 ELITE

### What this means for you

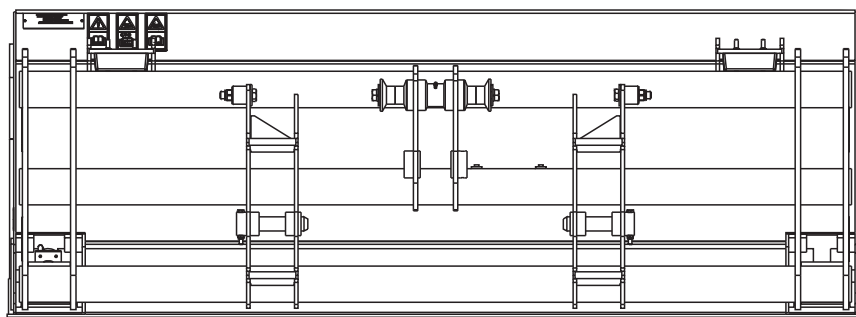
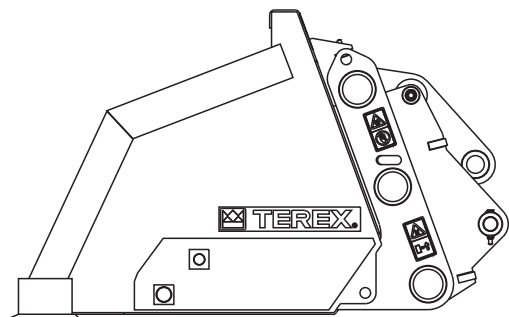
- ▶ Dump height of 4.10m (161in)

### Applications

- ▶ Low capacity/high density bucket suitable for larger rocks, construction and demolition waste
- ▶ Medium capacity/medium density bucket suitable for grain, refuse, general purpose
- ▶ High capacity/low density bucket suitable for soil, sand, aggregate, ore

## ORDERING REFERENCE AND SPECIFICATIONS

Description	Order Reference	Capacity struck m <sup>3</sup> (heaped capacity m <sup>3</sup> )
Low capacity/high density bucket	T102667	0.81 (0.98)
Medium capacity/medium density bucket	T102668	1.16 (1.44)
High capacity/low density bucket	T102669	1.72 (2.07)
Optional bolt on cutting edge	T102670	-



## BACKHOE LOADER ATTACHMENTS RANGE

# PALLET FORKS



### Available for models

TLB840	860 ELITE	970 ELITE
820	880 ELITE	970 ELITE
860 SX	880 SX	980 ELITE

### What this means for you

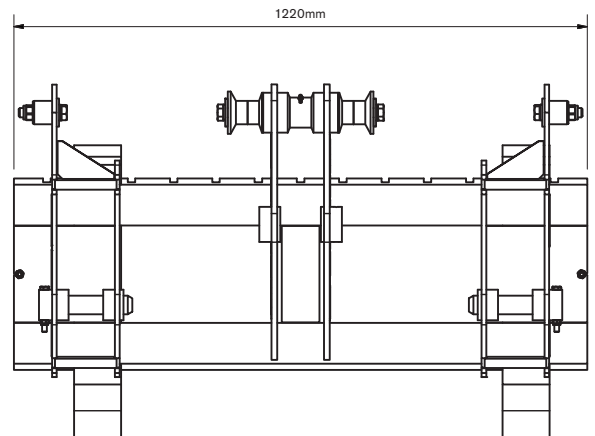
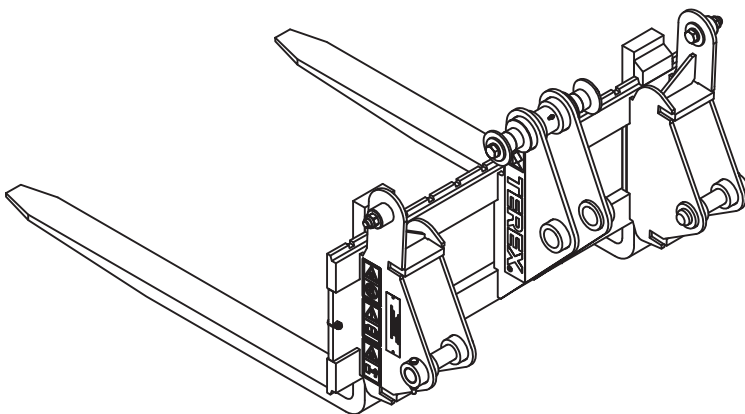
- ▶ Safe working load at 500mm load centre 2500kg (5500lb)
- ▶ Class 2B 100mm (4in) x 40mm (1.6in)
- ▶ Weight 228kg (502lb)

### Applications

- ▶ For handling palletised loads

## ORDERING REFERENCE AND SPECIFICATIONS

Order Reference	Weight (kg)	SWL (@500mm) kg
T102674	228	2,500





# BROOM BUCKET



## Available for models

TLB840	860 ELITE	970 ELITE
820	880 ELITE	970 ELITE
860 SX	880 SX	980 ELITE

## What this means for you

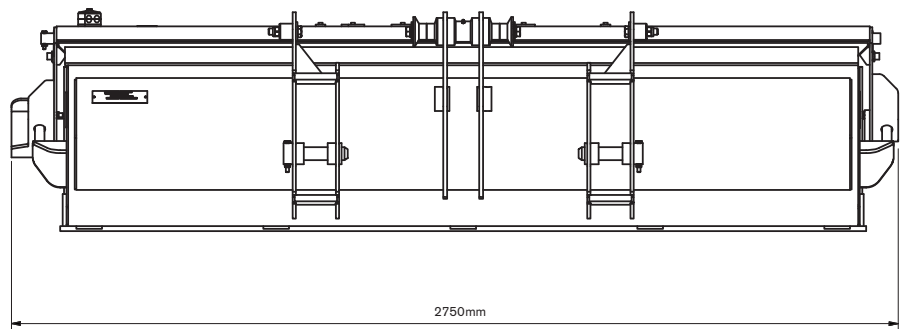
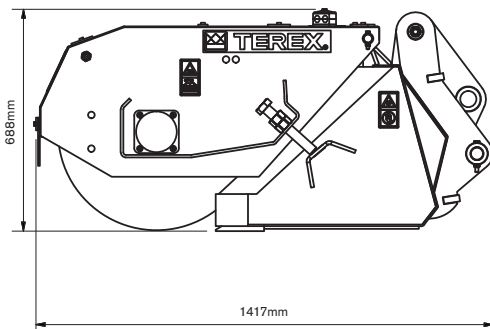
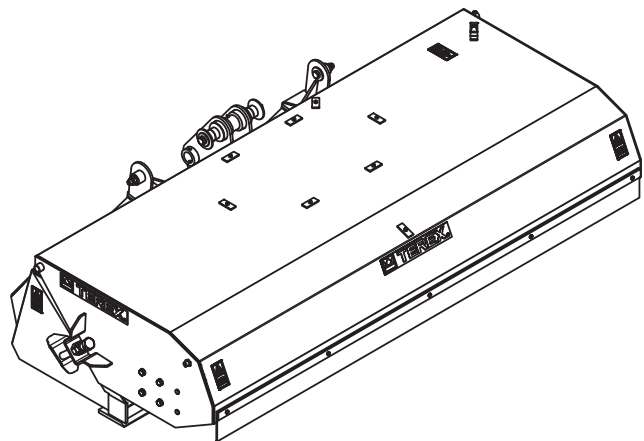
- ▶ Rotary brush sweeps debris into the collector bucket. To discharge, simply tip the bucket and reverse the action of the brush
- ▶ Max flow 76L/min (16.9gpm)
- ▶ Maximum pressure 207bar (3000psi)

## Applications

- ▶ Suitable for clearing yards, roads, footpaths. Also efficient for snow clearance
- ▶ Dust suppression kit reduces airborne particles resulting from broom bucket action
- ▶ Gutter brush kit effectively clears kerbside drainage courses

## ORDERING REFERENCE AND SPECIFICATIONS

Description	Order Reference	Capacity (m <sup>3</sup> ) (yd <sup>3</sup> )
Broom Bucket	T102675	0.58 (0.76)
Dust Supression Kit	T102676	-
Gutter Brush Kit	T102677	-



## BACKHOE LOADER ATTACHMENTS RANGE

# FARM FORK AND GRAPPLE



### Available for models

TLB840	860 ELITE	970 ELITE
820	880 ELITE	970 ELITE
860 SX	880 SX	980 ELITE

### What this means for you

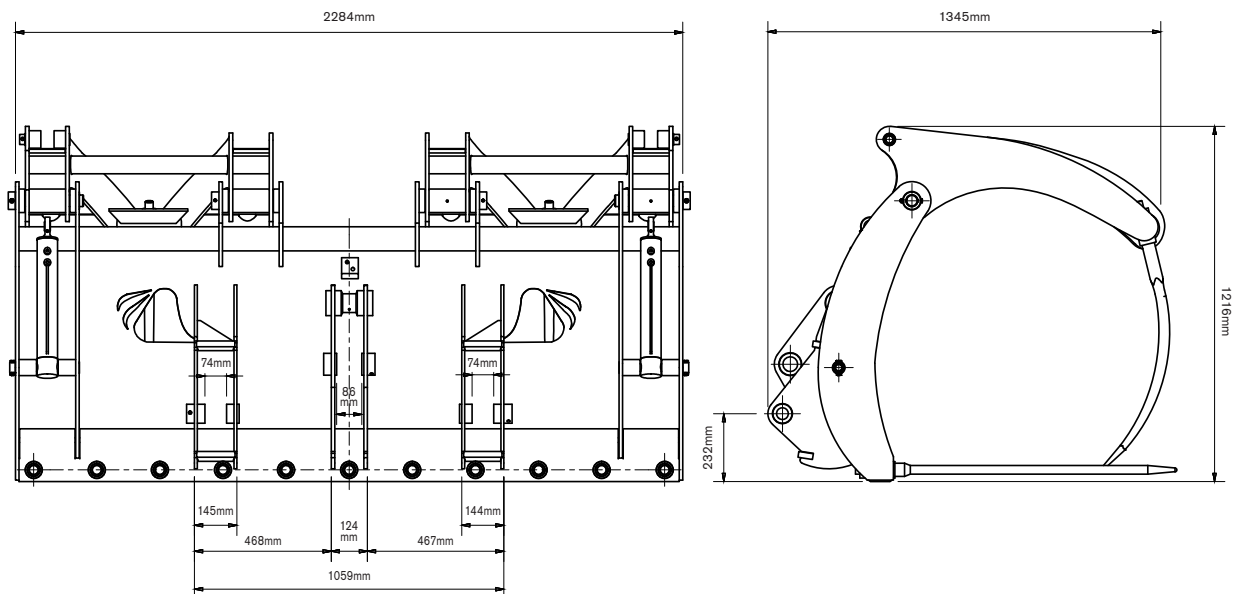
- ▶ Steel in body, sides and support framework
- ▶ Dual cylinder twin grapple

### Applications

- ▶ Suitable for agricultural activities including muck, bale and silage handling. Also suitable for industrial applications

## ORDERING REFERENCE AND SPECIFICATIONS

Description	Order Reference	Capacity m <sup>3</sup>	Weight (kg)
Farm Fork and Grapple	T102684	1.72	515



# SNOWPLOUGH



## Available for models

TLB840	860 ELITE	970 ELITE
820	880 ELITE	970 ELITE
860 SX	880 SX	980 ELITE

## What this means for you

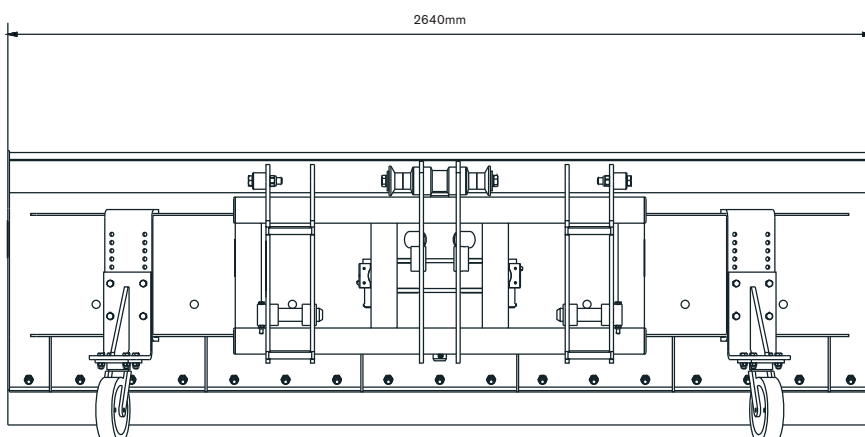
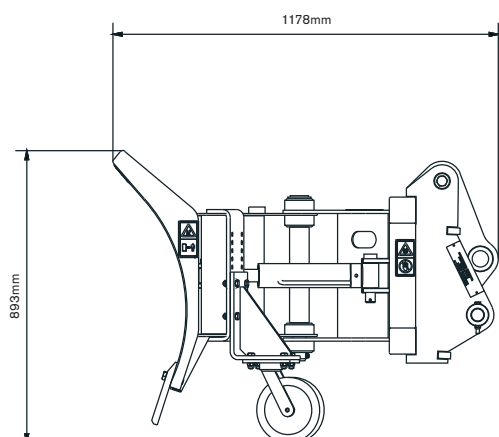
- ▶ 30° angle of movement to both right hand and left hand sides
- ▶ Replaceable bolt on scraper blade for extended use & road surface protection

## Applications

- ▶ For the efficient clearing of snow on roads

## ORDERING REFERENCE AND SPECIFICATIONS

Description	Order Reference
Snowplough with wheel kit	T117472



[www.terexparts.com](http://www.terexparts.com)

Effective Date: February 2012. Product specifications and prices are subject to change without notice or obligation. The photographs and/or drawings in this document are for illustrative purposes only. Refer to the appropriate Operator's Manual for instructions on the proper use of this equipment. Failure to follow the appropriate Operator's Manual when using our equipment or to otherwise act irresponsibly may result in serious injury or death. The only warranty applicable to our equipment is the standard written warranty applicable to the particular product and sale and Terex makes no other warranty, express or implied. Products and services listed may be trademarks, service marks or trade-names of Terex Corporation and/or its subsidiaries in the USA and other countries. All rights are reserved. Terex is a registered trademark of Terex Corporation in the USA and many other countries.  
© 2012 Terex Corporation.

Central Boulevard, ProLogis Park,  
Coventry, England CV6 4BX  
Tel +44 (0) 2476 339400



**WORKS FOR YOU.™**