

 **D'AVINO**

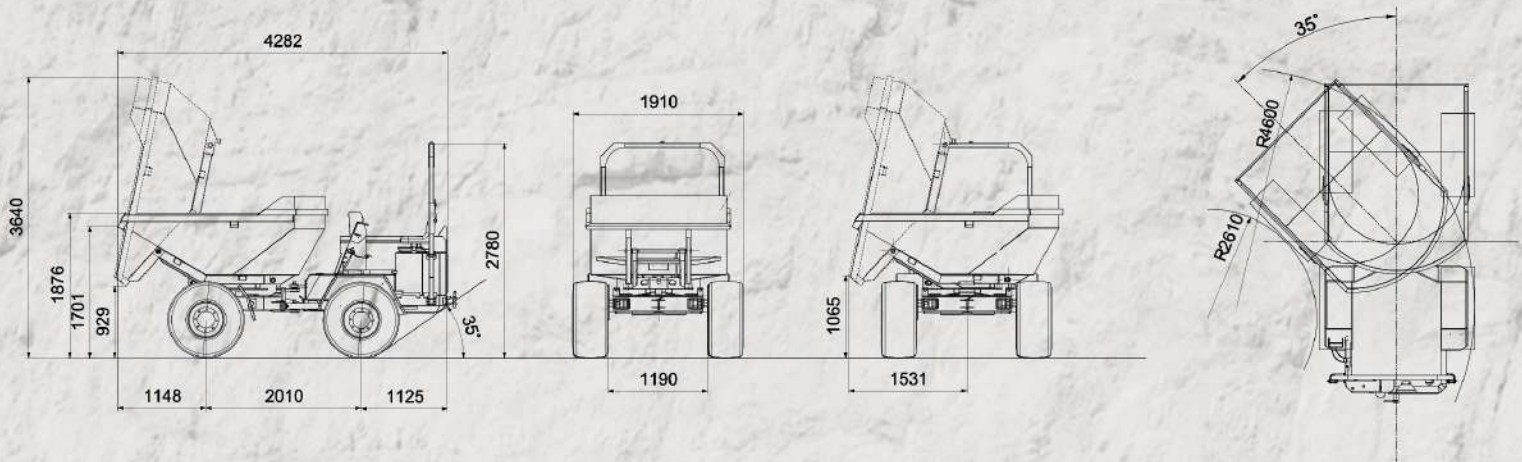


DS70



**DS
70**

DS70 - Articulated Slewing Dumper		
Load Capacity	Kgs	7.000
Unloading System		Three sides unloading
Hopper Capacity Levelled/Heaped	l	2.800/3.600
Engine		YANMAR– Diesel Turbo – Stage V – kW 53,7 (Hp 72) YANMAR– Diesel Turbo – Stage IIIA – kW 52,1 (Hp 70,7)
Hydrostatic Transmission		2-speed hydrostatic. Front-reverse direction electro-hydraulic operated. Axles with planetary reduction on differential output
Speed (max.)	Km/h	28
Unladen Weight	Kgs	3.500
Gradeability		40%
Hydraulic circuit		Double gear pump 13,8/16,0 cm ³
Front/Rear Tyres		12,5/80 - 18 A6
Outer turning radius	°	35
Steering/tipping	Bar	135/190
Fuel Tank Capacity	l	78
Hydraulic Tank Capacity	l	90
Service/Parking Brake		Oil-immersed, multidisc, hydraulically operated
Standard Equipment		Foldable ROPS arch – Vandal resistant system - Ergonomic seat with safety belt - Audible reverse warning (back up alarm) - Towing hitch
Options Equipment		Lighting equipment



AMOG srl | I-80031 Brusciiano (NA) | Tel. +39 081 658 8361 | sales@davinogroup.biz

davinomixer.com